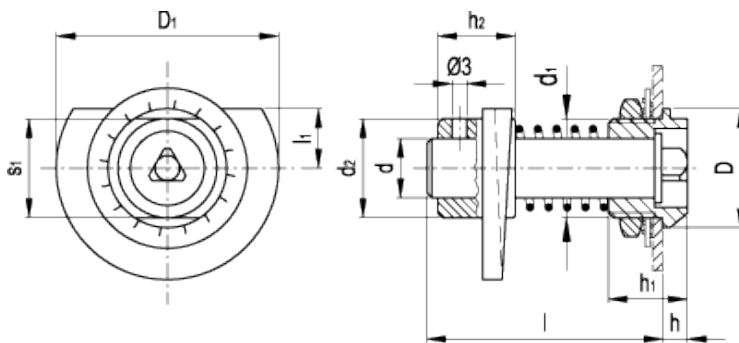


BOCK.

Latches with recessed key



ELESA Original design



technical informations

Shank

Nickel-plated steel with triangular key mark.

Guide bush

Nickel-plated brass.

Locking nut (wrench 24)

Nickel-plated brass.

DIN 6798 flat spring washer

Zinc-plated steel.

Helical latch

Sintered and vaporized steel with hole for pinning.

DIN 1481 spring dowel pin

Black-oxide steel, Ø 3x20 mm (included in the supply).

Latch spring to compensate door thickness

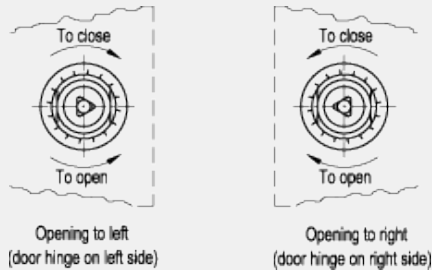
Zinc-plated steel.

Key

Polyamide based (PA) technopolymer, black colour, matte finish. Resistant to solvents, oils, greases and other chemical agents.

Standard executions available

- BOCK-D: opening to the right side.
- BOCK-S: opening to the left side.



Choice of the length of the shank (l)

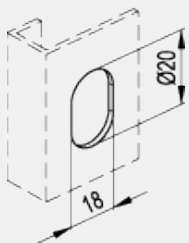
$l \geq S+b+15$ mm

- S = thickness of the door
 - b = thickness of the ledge
- See assembly example.

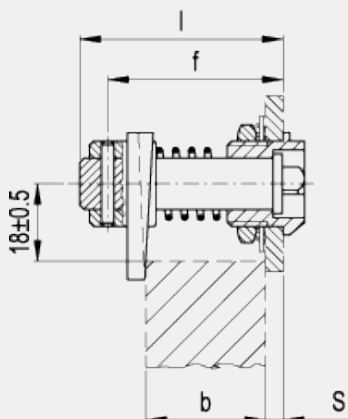
Assembly instructions

1. Drill a hole in the door following the supplied template.
 2. Drill a hole in the shank for pinning at "f" distance:
 $f = S+b+8.5$
 3. Fit the shank in the hole on the door and assemble the other components.
- BOCK. latches are supplied not assembled.

Drilling template



Assembly example



Standard Elements

Main dimensions

Latch dimensions

Weight

Code	Description	D	L	h	d	d ₁	h ₁	s ₁	D ₁	d ₂	h ₂	l ₁	g
6211	BOCK.25-46-D	24	46	6	12	M20x1.5	17.5	20	45	20	15	12	142
6212	BOCK.25-46-S	24	46	6	12	M20x1.5	17.5	20	45	20	15	12	142
6221	BOCK.25-54-D	24	54	6	12	M20x1.5	17.5	20	45	20	15	12	150
6222	BOCK.25-54-S	24	54	6	12	M20x1.5	17.5	20	45	20	15	12	150
6231	BOCK.25-64-D	24	64	6	12	M20x1.5	17.5	20	45	20	15	12	160
6232	BOCK.25-64-S	24	64	6	12	M20x1.5	17.5	20	45	20	15	12	160



ELESA and GANTER models all rights reserved in accordance with the law. Always mention the source when reproducing our drawings.

STANDARD MACHINE ELEMENTS WORLDWIDE